

 SAUDER®

Sit and surf.

Hythe Wall Mounted Desk

Model 5426439

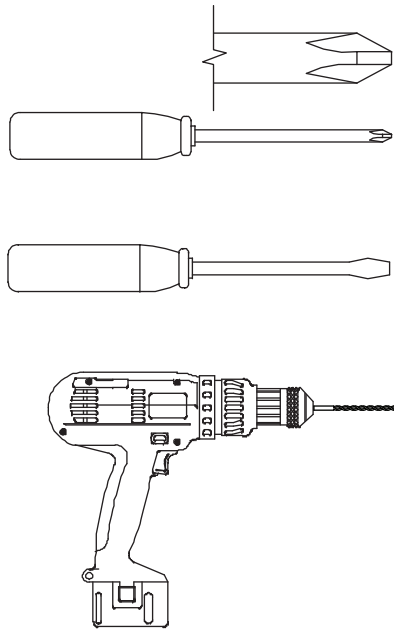
NOTE: THIS INSTRUCTION BOOKLET CONTAINS **IMPORTANT** SAFETY INFORMATION.

PLEASE READ AND KEEP FOR FUTURE REFERENCE.

Table of Contents

Assembly Tools Required

Part Identification	3
Hardware Identification	4
Assembly Steps	5-18
Français	19-21
Español	22-24
Safety	25-26
Warranty	27



No. 2 Phillips Screwdriver
Tip Shown Actual Size

Straight Edge Screwdriver

Electric drill with 5/16" bit
(ONLY in indicated step)

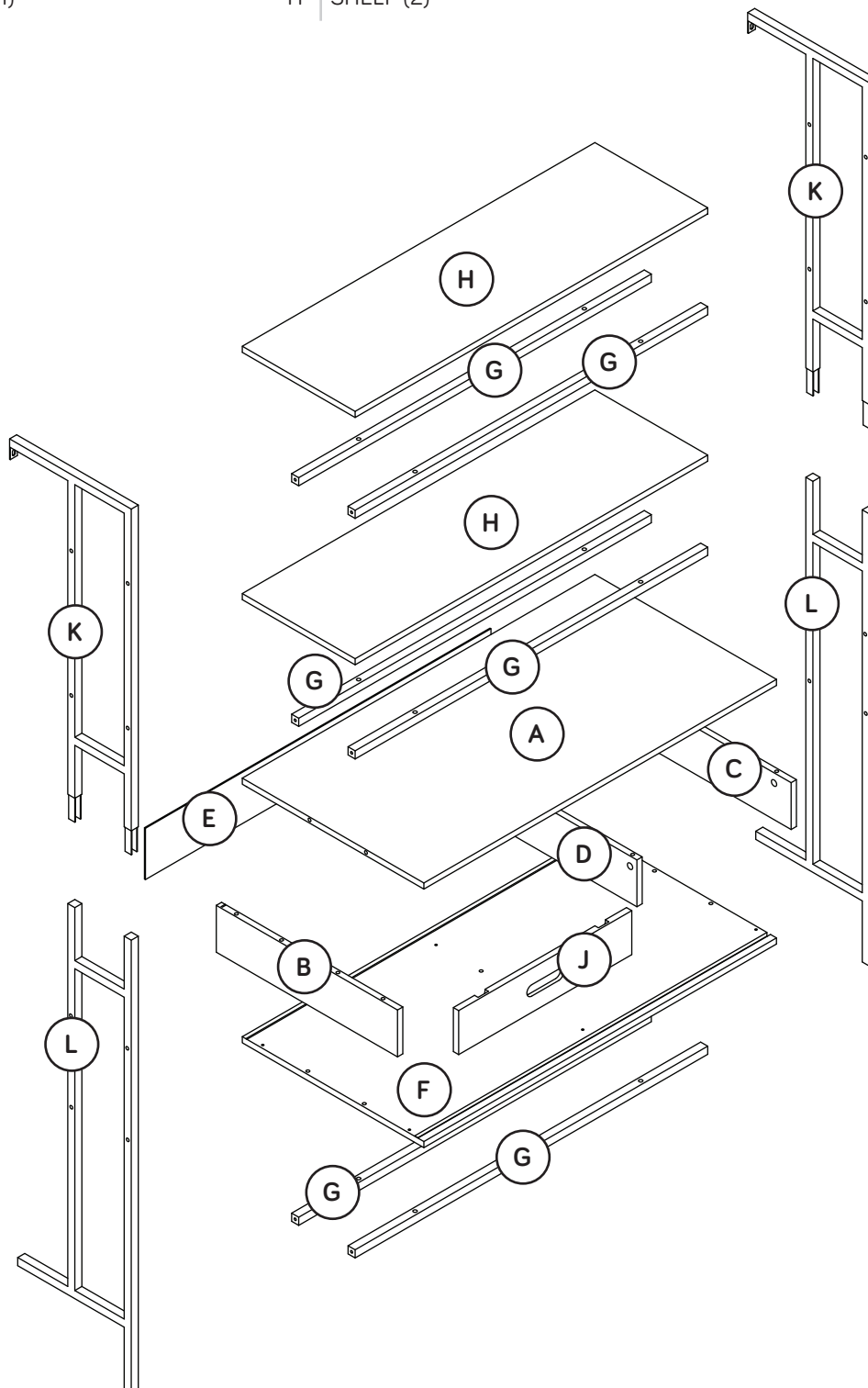
Part Identification

Now you know
our ABCs.



⚡ While not all parts are labeled, some of the parts will have a label or an inked letter on the edge to help distinguish similar parts from each other. Use this part identification to help identify similar parts.

A	DESK TOP (1)	E	BACK (1)	J	DOOR (1)
B	LEFT END (1)	F	BOTTOM (1)	K	UPPER FRAME (2)
C	RIGHT END (1)	G	BRACE (6)	L	LOWER FRAME (2)
D	UPRIGHT (1)	H	SHELF (2)		



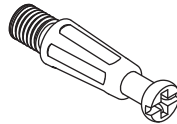
Hardware Identification

† Screws are shown actual size. You may receive extra hardware with your unit.

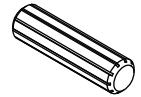
1 HIDDEN CAM - 6



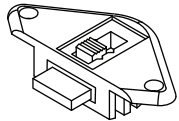
2 CAM SCREW - 6



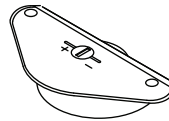
3 WOOD DOWEL - 12



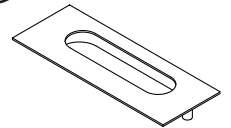
4 UPPER GUIDE - 2



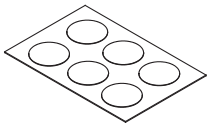
5 LOWER GUIDE - 2



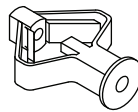
6 PULL - 1



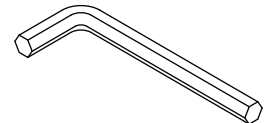
7 APPLIQUE CARD - 1



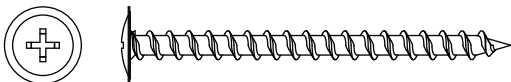
8 WALL ANCHOR - 2



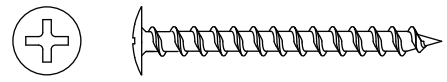
9 L-WRENCH - 1



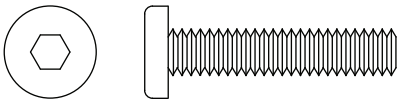
10 2" PAN HEAD SCREW - 2



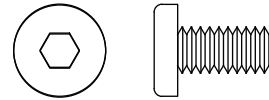
11 1-9/16" PAN HEAD SCREW - 6



12 1-3/16" HEX HEAD SCREW - 24



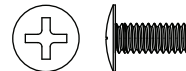
13 1/2" HEX HEAD SCREW - 8



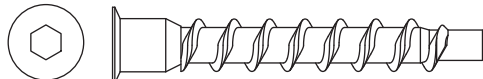
14 1/2" FLAT HEAD SCREW - 8



15 3/8" MACHINE SCREW - 2



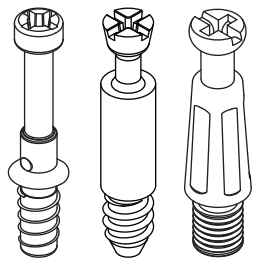
16 1-15/16" HEX HEAD SCREW - 4



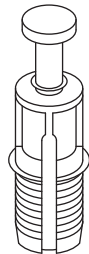
Hardware Usage Guide

HOW TO USE A HIDDEN CAM & CAM SCREW OR CAM DOWEL

1. NOTE: Various CAM SCREWS or a CAM DOWEL may be used.

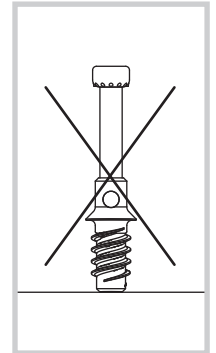
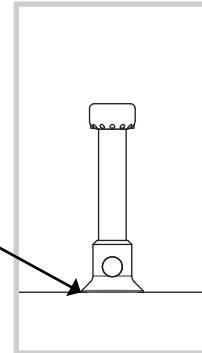


Cam Screws

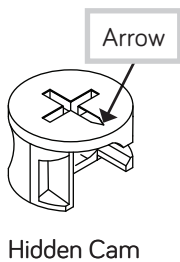


Cam Dowel

Turn the CAM SCREW or gently tap the CAM DOWEL until the shoulder is against the surface of the part.

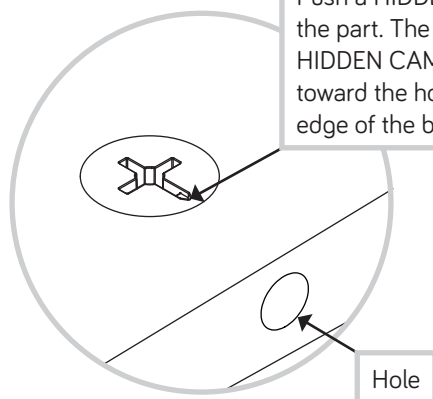


2.



Arrow

Hidden Cam

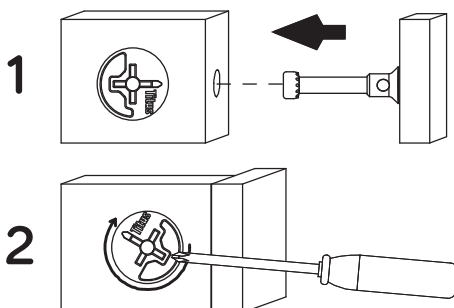


Push a HIDDEN CAM into the part. The arrow in the HIDDEN CAM must point toward the hole in the edge of the board.

Hole

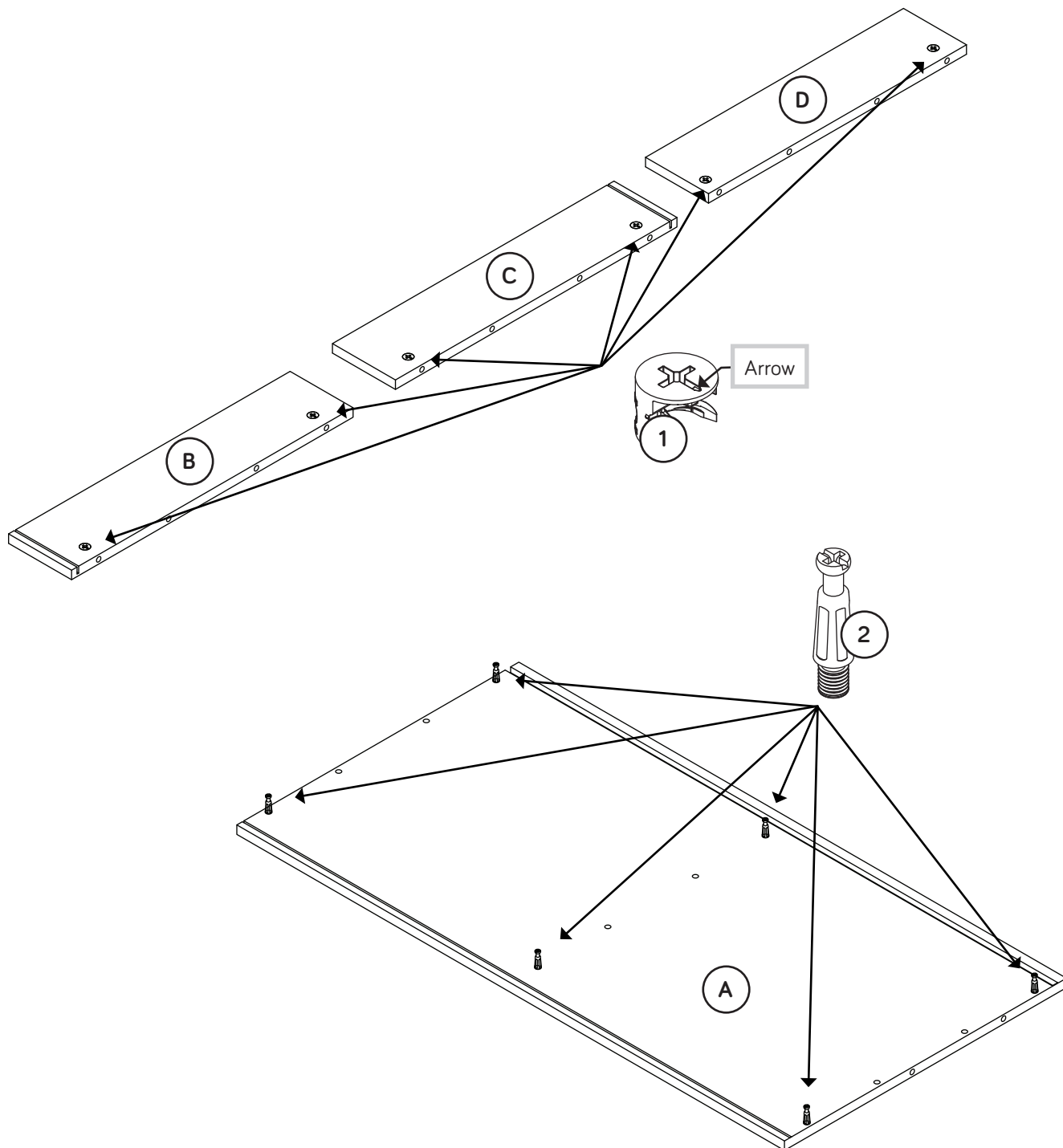
3.

Insert the CAM SCREW or CAM DOWEL into the HIDDEN CAM. Tighten the HIDDEN CAM.



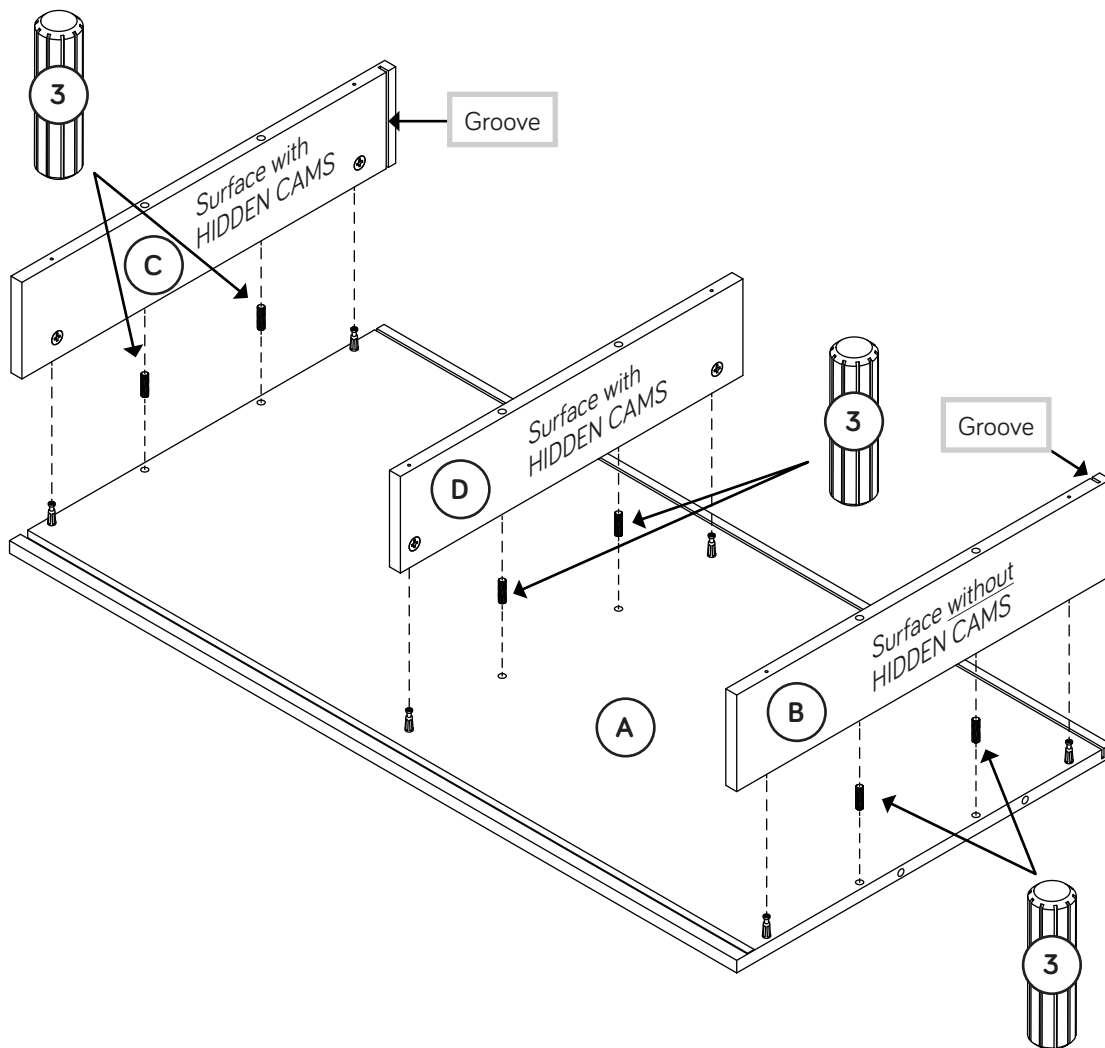
Step 1

- ✚ Assemble your unit on a carpeted floor or on the empty carton to avoid scratching your unit or the floor.
- ✚ Push six HIDDEN CAMS (1) into the ENDS (B and C) and UPRIGHT (D).
- ✚ Turn six CAM SCREWS (2) into the DESK TOP (A).



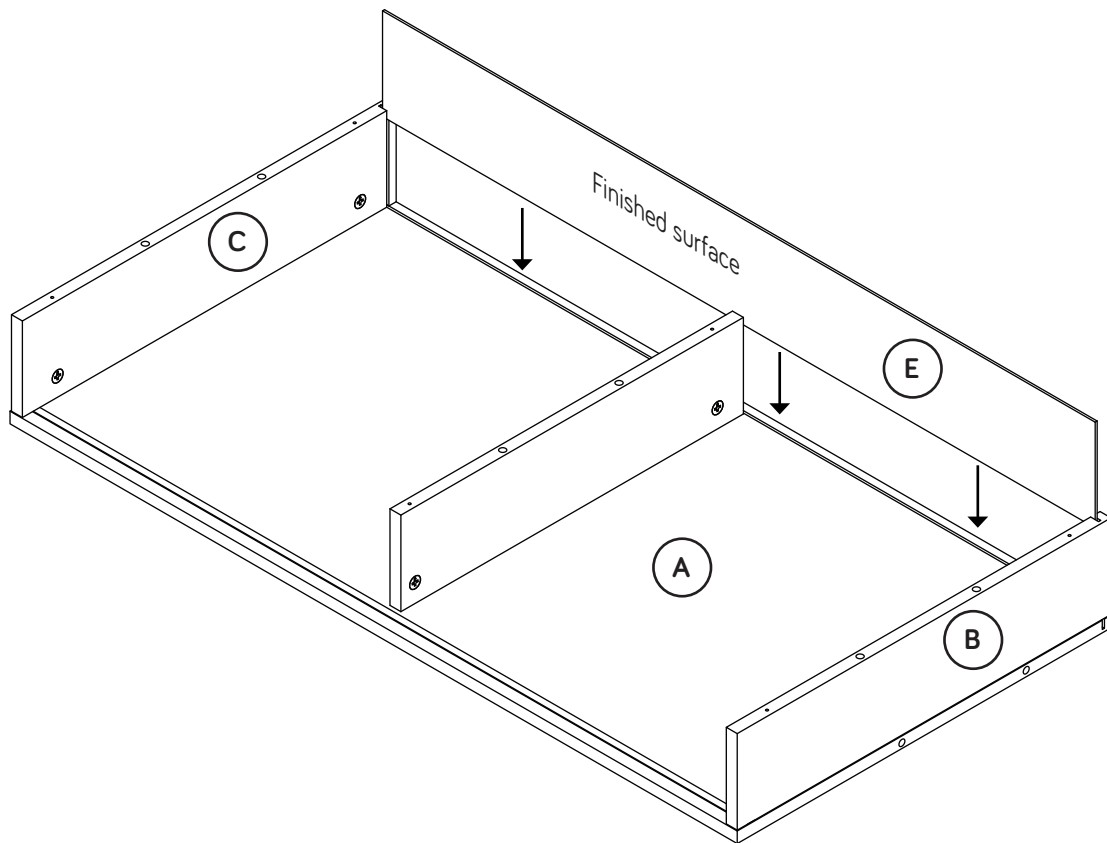
Step 2

- ✚ Insert six WOOD DOWELS (3) into the DESK TOP (A).
- ✚ Fasten the ENDS (B and C) and UPRIGHT (D) to the DESK TOP (A). Tighten six HIDDEN CAMS.
- ✚ NOTE: Be sure the WOOD DOWELS in the DESK TOP (A) insert into the ENDS and UPRIGHT.



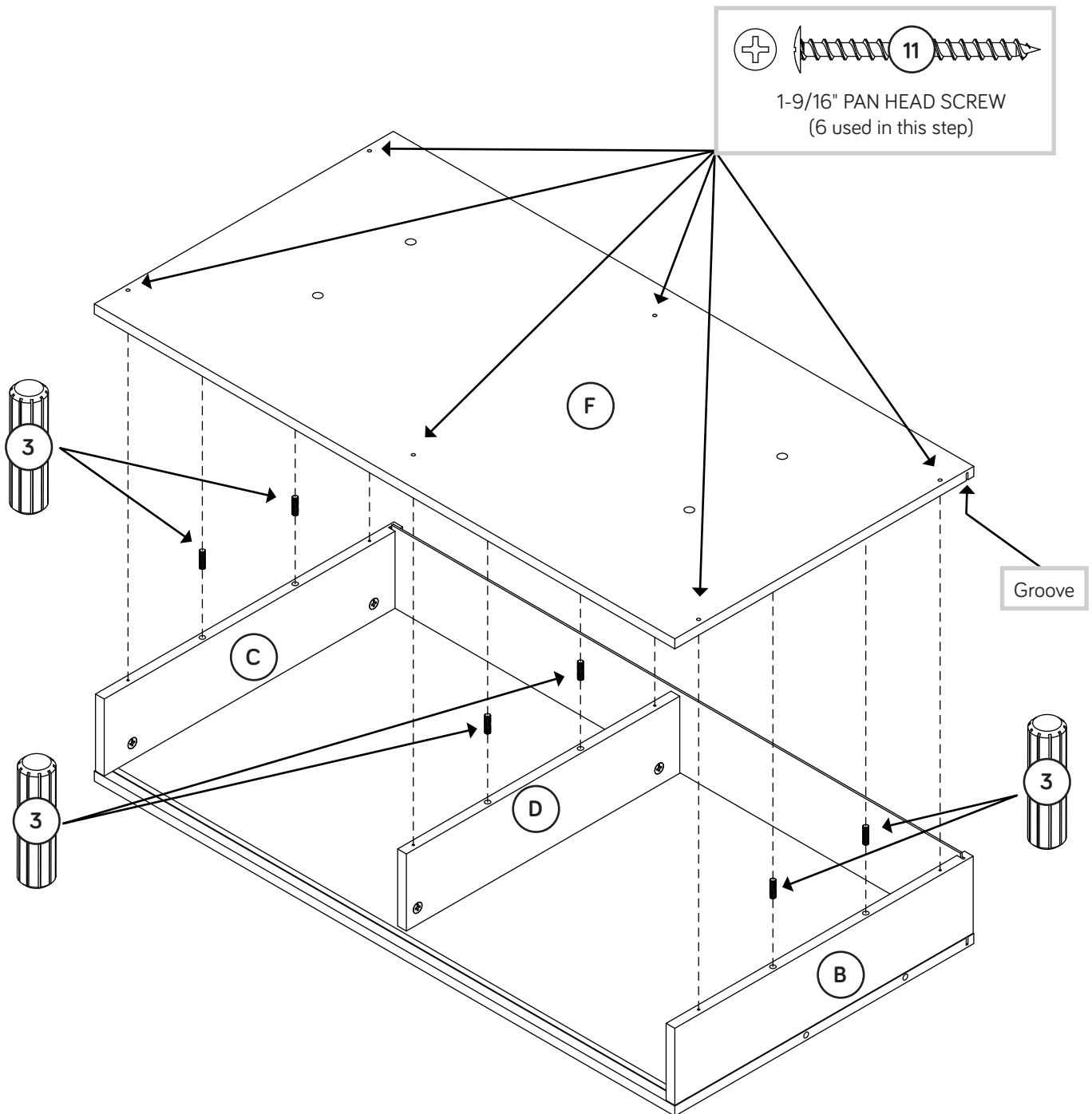
Step 3

- Slide the BACK (E) into the grooves of the ENDS (B and C) and DESK TOP (A).



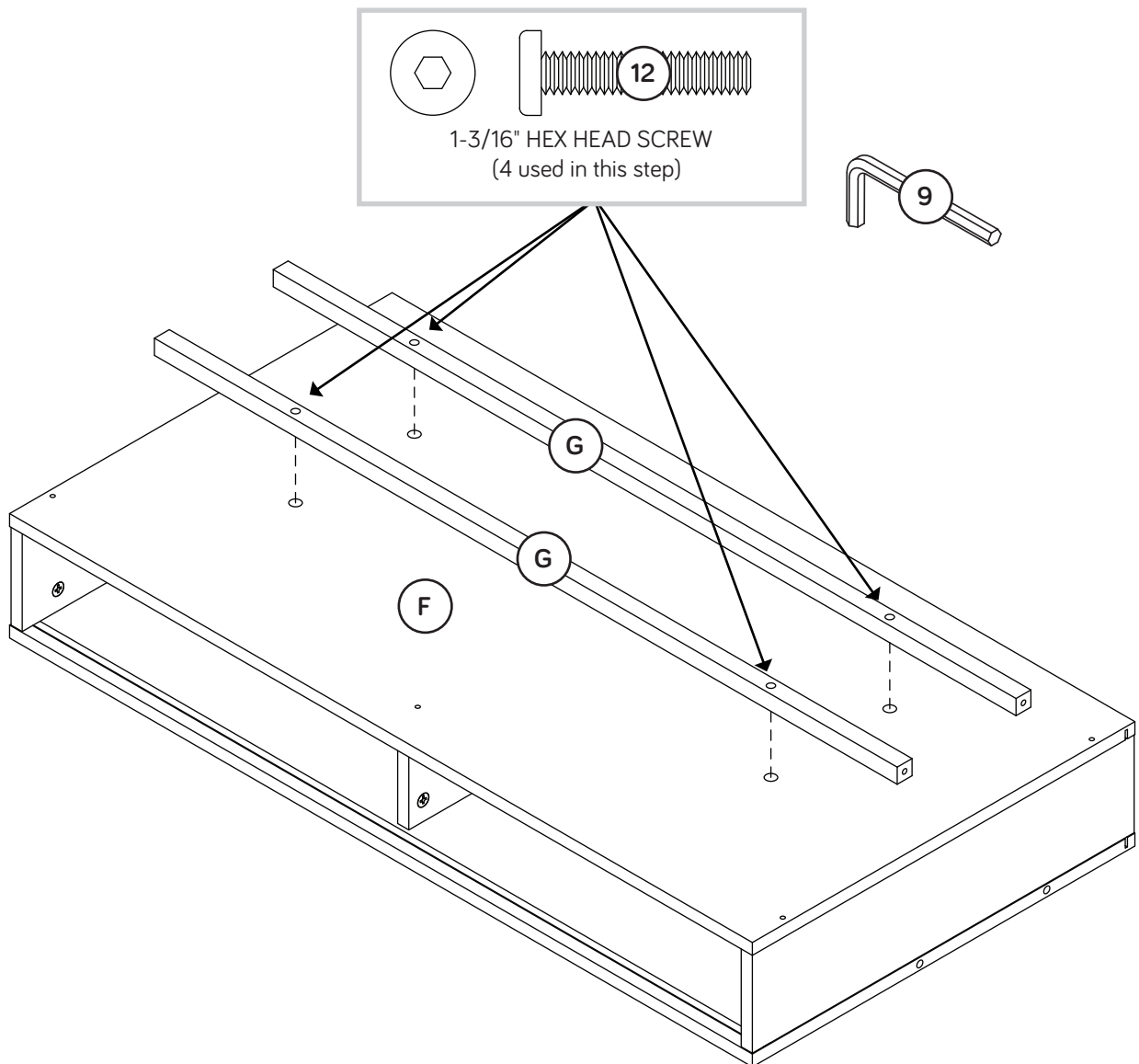
Step 4

- ✦ Insert six WOOD DOWELS (3) into the ENDS (B and C) and UPRIGHT (D).
- ✦ Fasten the BOTTOM (F) to the ENDS (B and C) and UPRIGHT (D). Use six 1-9/16" PAN HEAD SCREWS (11).
- ✦ NOTE: Be sure the WOOD DOWELS in the ENDS and UPRIGHTS insert into the BOTTOM.



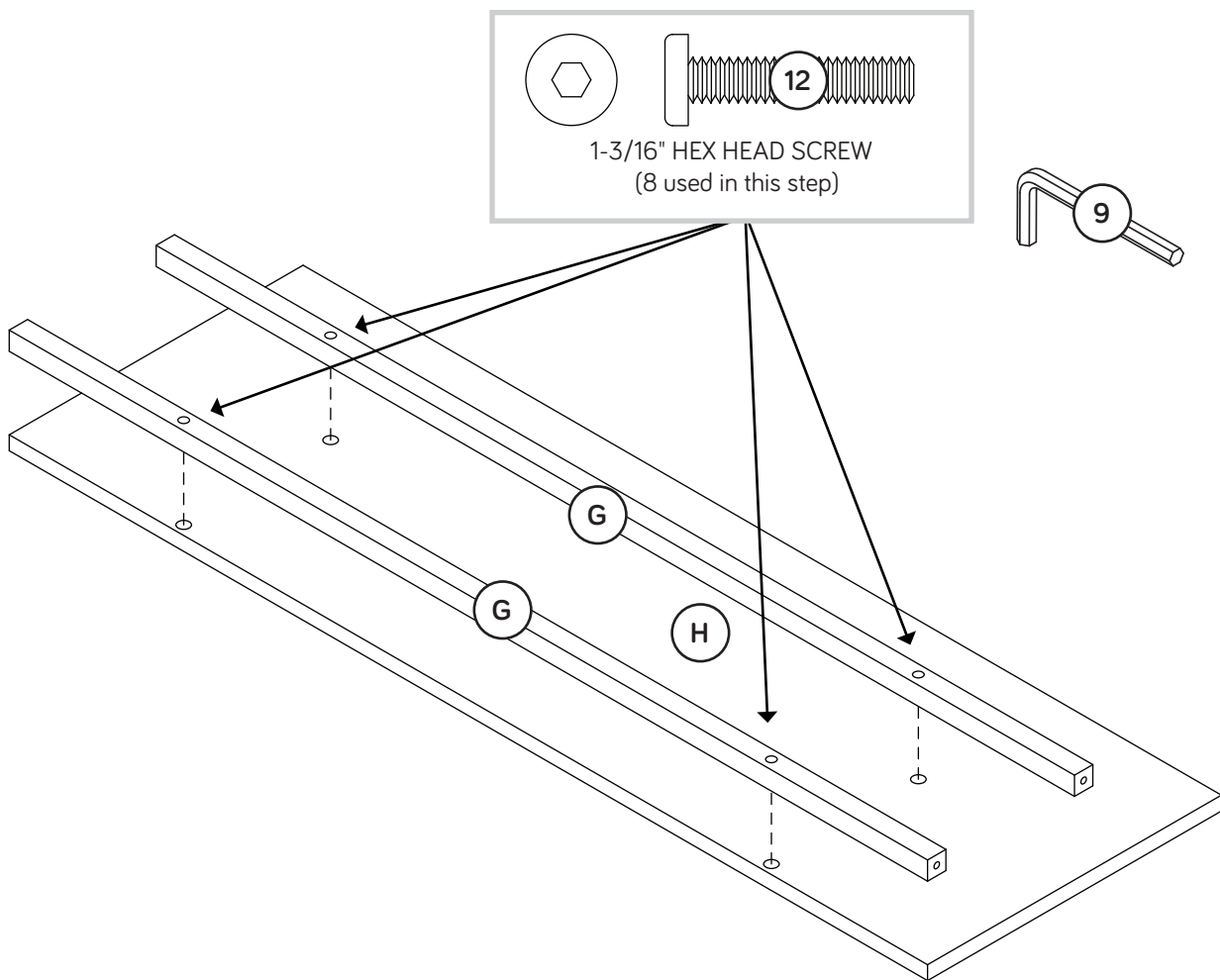
Step 5

- Fasten two BRACES (G) to the BOTTOM (F). Tighten four 1-3/16" HEX HEAD SCREWS (12) using the L-WRENCH (9).



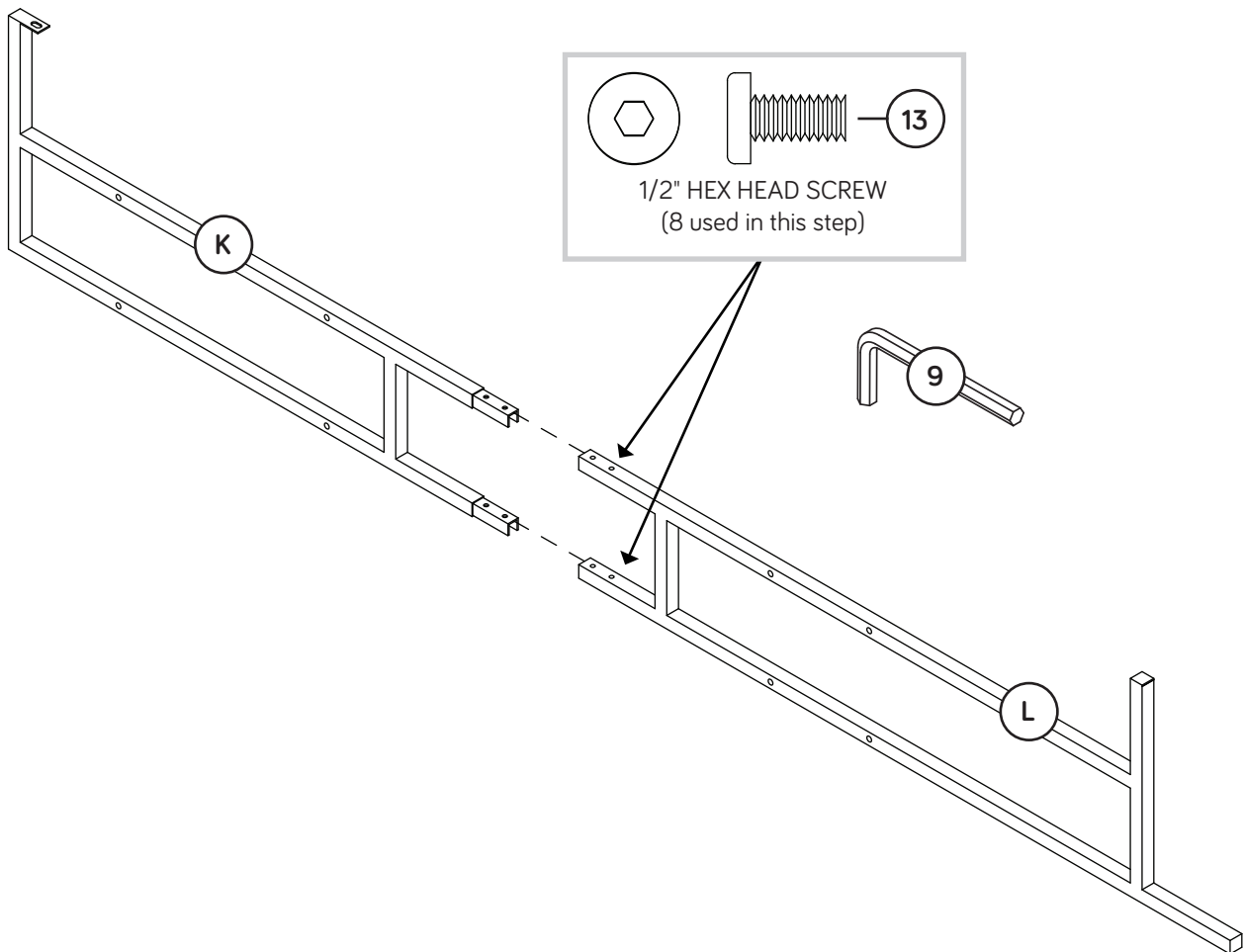
Step 6

- Fasten two BRACES (G) to a SHELF (H). Tighten four 1-3/16" HEX HEAD SCREWS (12) using the L-WRENCH (9).
- Repeat this step.



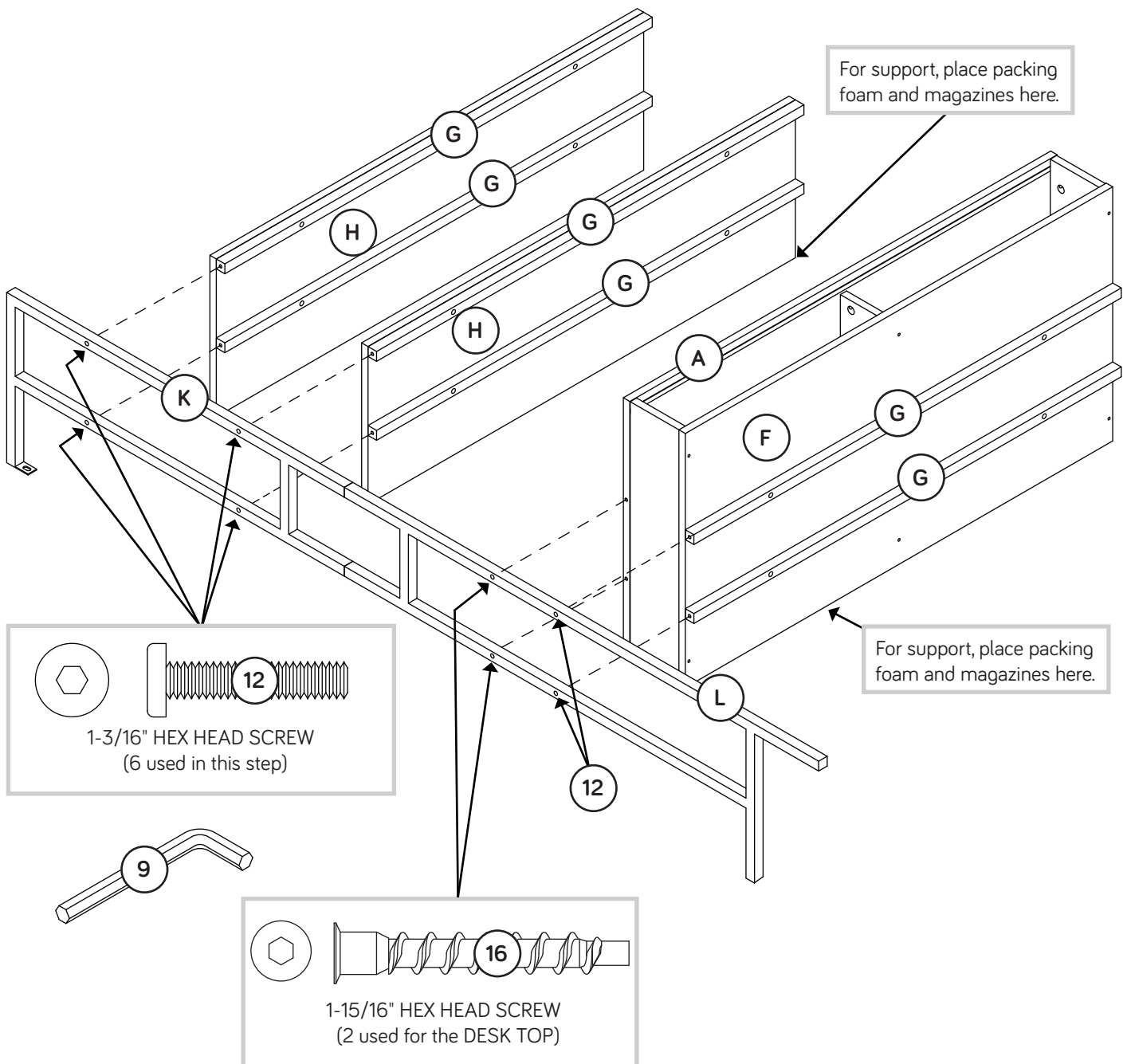
Step 7

- ✚ Insert the tab of the UPPER FRAME (K) into the LOWER FRAME (L).
- ✚ Fasten the UPPER FRAME (K) to the LOWER FRAME (L). Tighten four 1/2" HEX HEAD SCREWS (13) using the L-WRENCH (9).
- ✚ Repeat this step.



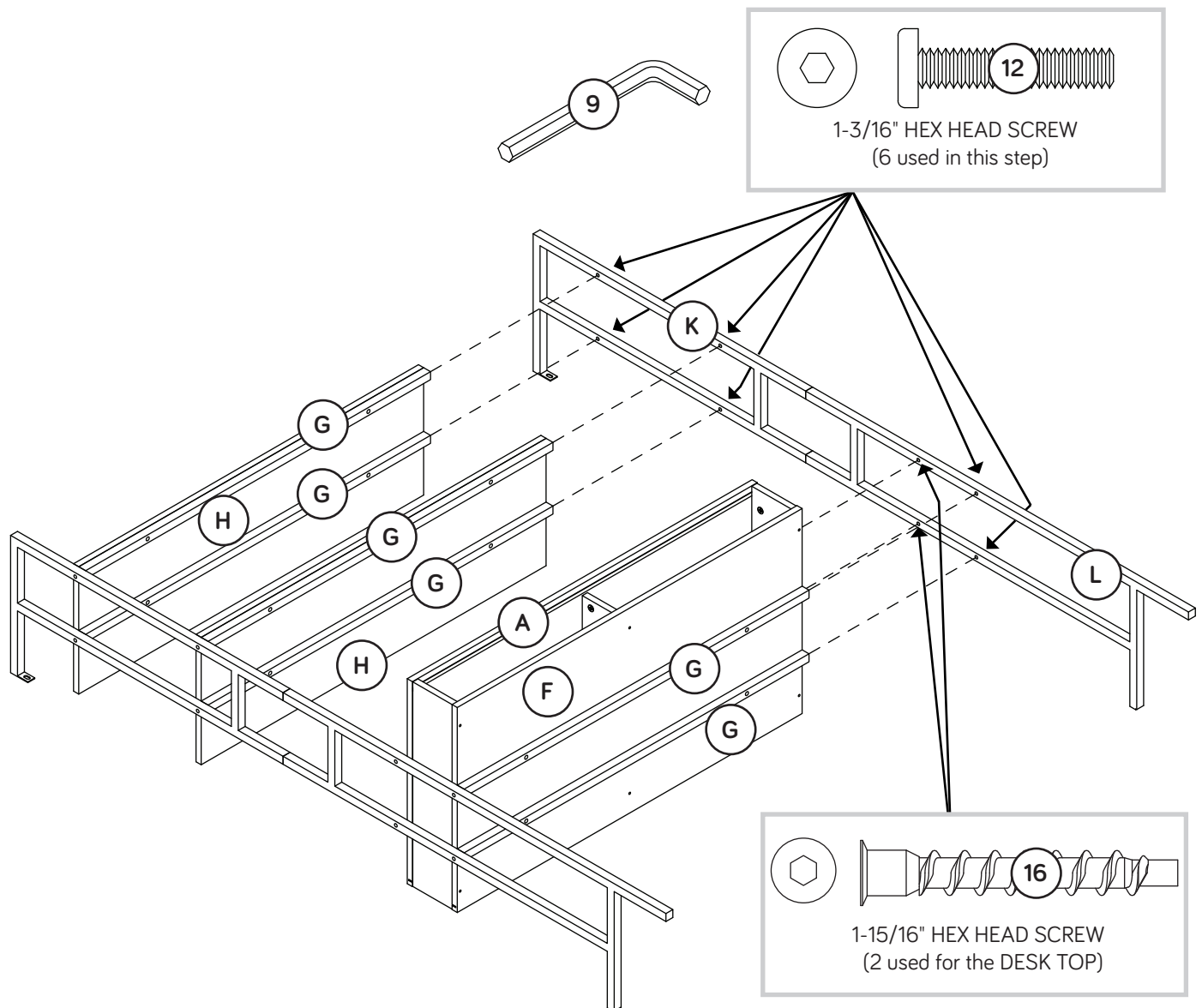
Step 8

- Fasten the BRACES (G) on the SHELVES (H) to an UPPER FRAME (K). Tighten four 1-3/16" HEX HEAD SCREWS (12) using the L-WRENCH (9).
- Fasten the BRACES (G) on the BOTTOM (F) to the LOWER FRAME (L). Tighten two 1-3/16" HEX HEAD SCREWS (12) using the L-WRENCH (9).
- Fasten the LOWER FRAME (L) to the DESK TOP (A). Use two 1-15/16" HEX HEAD SCREWS (16) using the L-WRENCH (9).



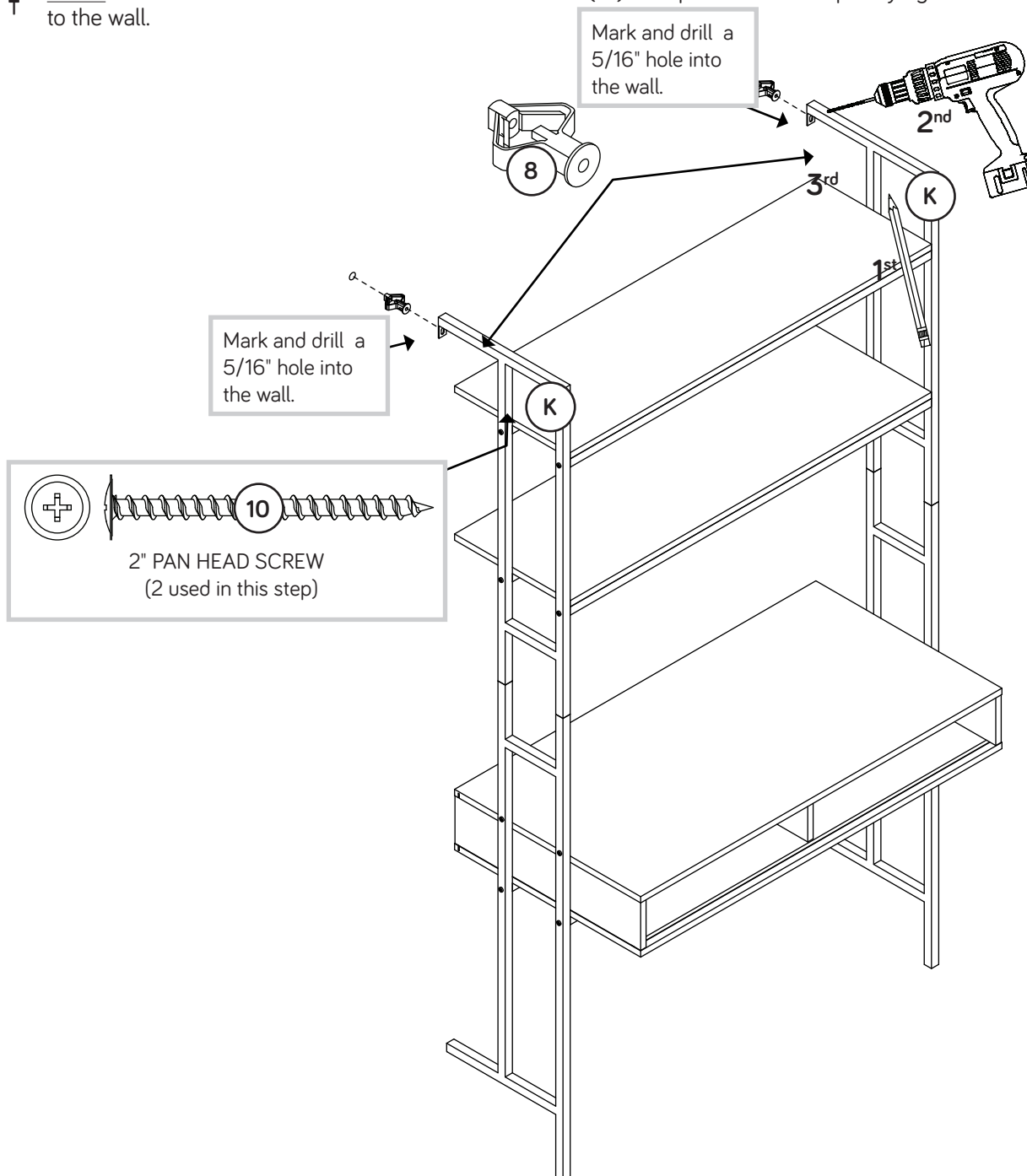
Step 9

- Fasten remaining END FRAMES (K and L) to the BRACES (G) on the BOTTOM (F) and SHELVES (H). Tighten six 1-3/16" HEX HEAD SCREWS (12) using the L-WRENCH (9).
- Fasten the LOWER FRAME (L) to the DESK TOP (A). Use two 1-15/16" HEX HEAD SCREWS (16) using the L-WRENCH (9).



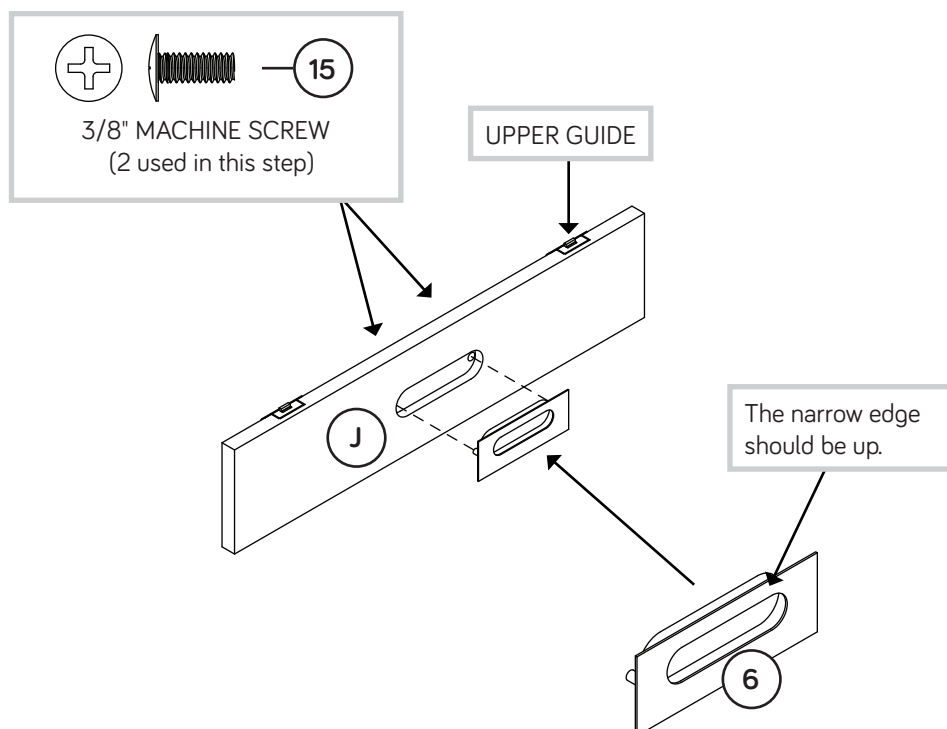
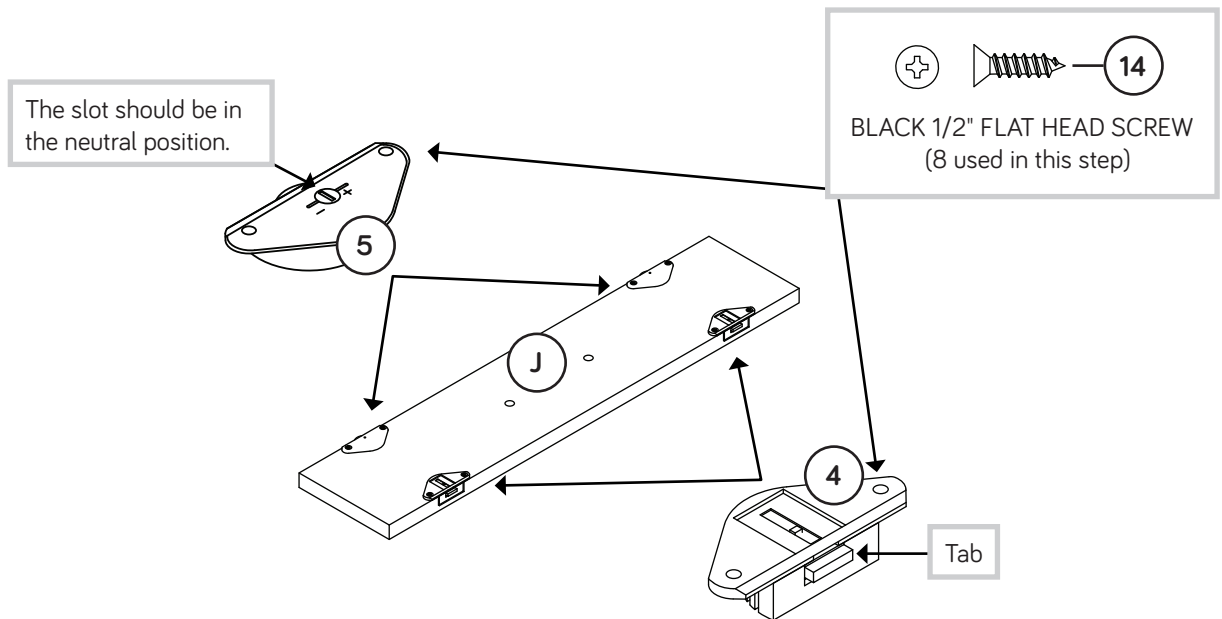
Step 10

- 1st-Carefully stand your unit upright against the wall in its final location. Strike a mark through the center of the hole in the UPPER FRAMES (K). Lay your unit down.
- 2nd-Drill a 5/16" hole on the marks.
- 3rd-While you squeeze the wings together, gently tap two WALL ANCHORS (8) into the holes until they are even with the surface of the wall.
- Stand your unit upright placing the brackets in the UPPER FRAMES (K) over the WALL ANCHORS (8).
- Turn two 2" PAN HEAD SCREWS (10) through the holes in the UPPER FRAMES (K) and into the WALL ANCHORS (8).
- NOTE:** You will need to turn the 2" PAN HEAD SCREWS (10) multiple turns to completely tighten and secure your unit to the wall.



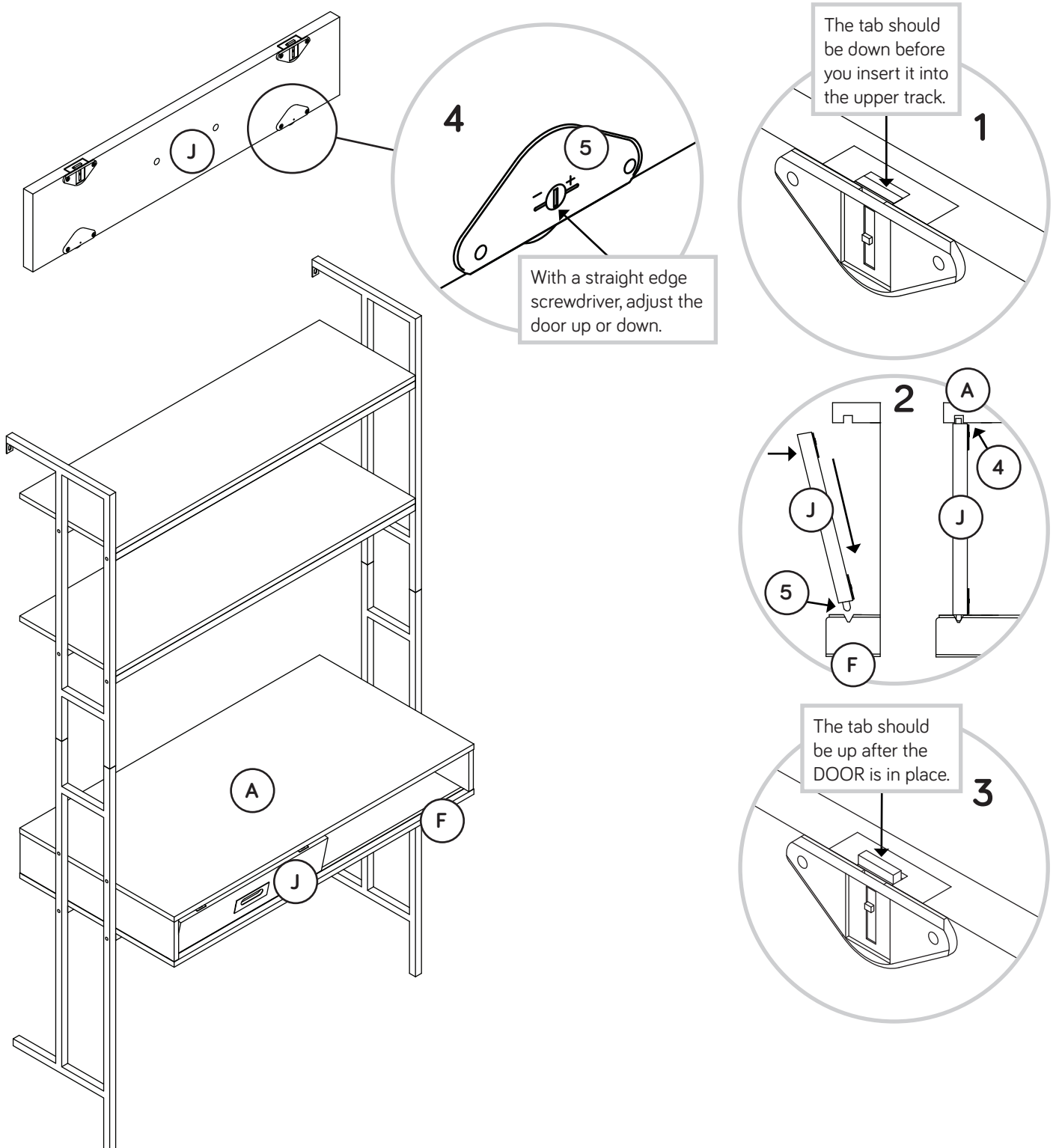
Step 11

- Fasten the LOWER GLIDES (5) to one long edge of the DOOR (J). Use four 1/2" FLAT HEAD SCREWS (14).
- Fasten the UPPER GLIDES (4) to the opposite long edge of the DOOR (J). Use four 1/2" FLAT HEAD SCREWS (14).
- NOTE: The slot should be in the neutral position. Adjustments will be made in the next step
- Fasten the PULL (6) to the DOOR (J). Use two 3/8" MACHINE SCREWS (15).



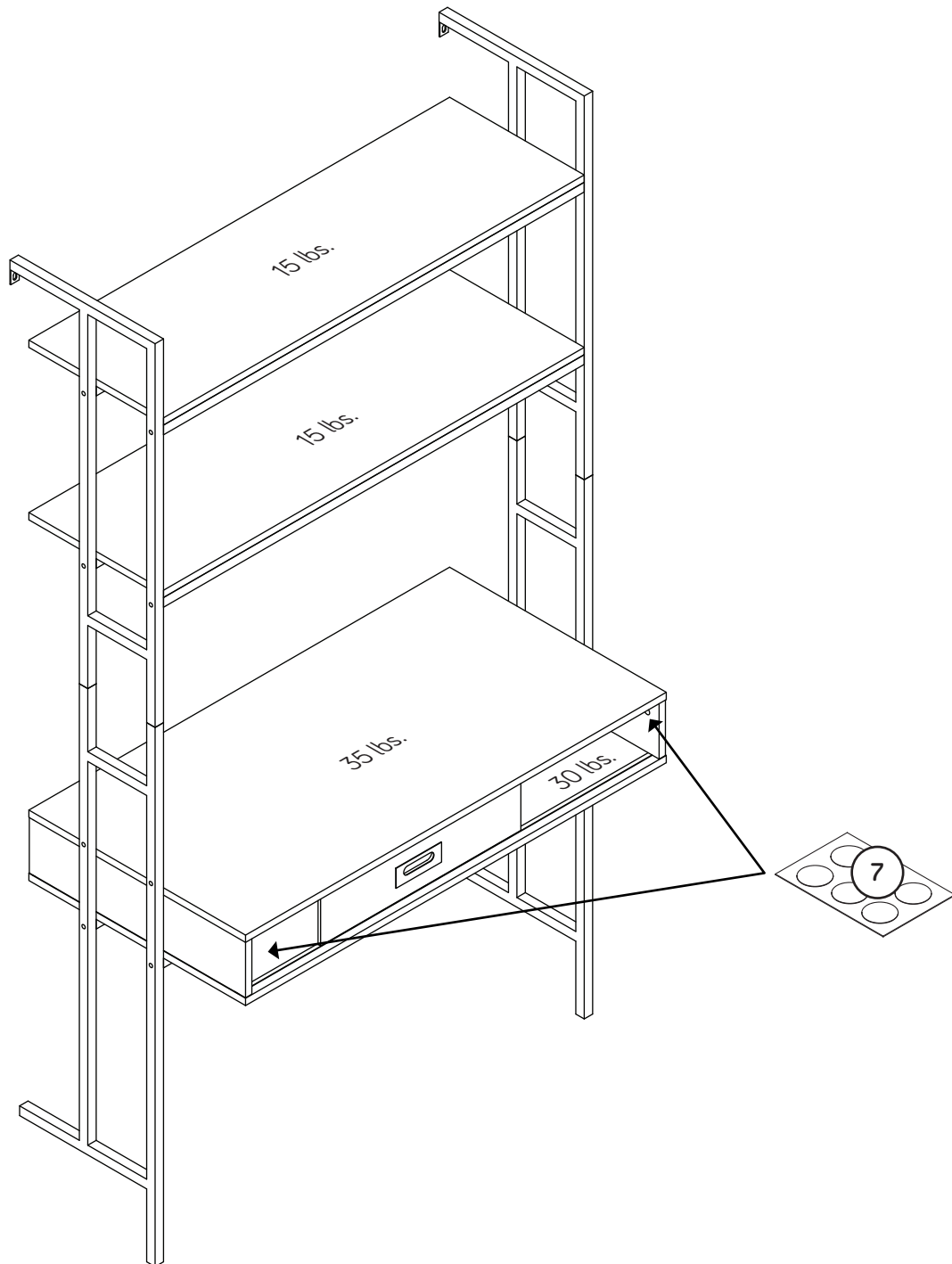
Step 12

- 1. The UPPER GUIDE (4) tabs should be down before starting this step.
- 2. Insert the LOWER GUIDES (5) in the DOOR (J) at an angle into the groove in the BOTTOM (F). Then, tilt the DOOR up vertically.
- 3. Push the UPPER GUIDE (4) tabs up into the groove in the DESK TOP (A).
- NOTE:** The DOOR should slide freely in the track.
- 4. The DOOR gap above and below is adjustable. Turn the slot on the LOWER GUIDES (5) with a STRAIGHT EDGE SCREWDRIVER to adjust the door up or down.



Step 13

- ✦ Peel APPLIQUES from the APPLIQUE CARD (7) and stick them onto each visible HIDDEN CAM.
- ✦ NOTE: Please read the back pages of the instruction booklet for important safety information.
- ✦ This completes assembly. Clean with a damp cloth. Wipe dry.



⚠ WARNING

Please use your furniture correctly and safely. Improper use can cause safety hazards, or damage to your furniture or household items. ***Carefully read the following chart.***

Look out for:	What can happen:	How to avoid the problem:
<ul style="list-style-type: none">Overloaded shelves.	<ul style="list-style-type: none">Risk of injury.Top-heavy furniture can tip over.Overloaded shelves can break.	<ul style="list-style-type: none">Never exceed the weight limits shown in the instructions.Work from bottom to top when loading shelves. Place the heavier items on the lower shelves.
<ul style="list-style-type: none">Placing TVs on furniture items that are not designed to support a television is hazardous.	<ul style="list-style-type: none">Risk of injury or death. TVs can be very heavy. Plus the weight and location of the picture tube tends to make TVs unbalanced and prone to tipping forward.	<ul style="list-style-type: none">This product is not designed to support a television.
Properly mounting the unit to the wall.	If not properly mounted, the unit can fall and cause injury and damage.	Carefully review and follow the mounting instructions contained in this manual. This product is designed to be mounted to a wall. This will reduce but not eliminate the risk caused by climbing.